

Shared Clamp Reset Circuit

■ Description

- ▶ Two power converters may share a clamp reset circuit. The clamp reset circuit may clamp excess voltage to prevent damage or reset/manage the magnetizing energy of the transformer.

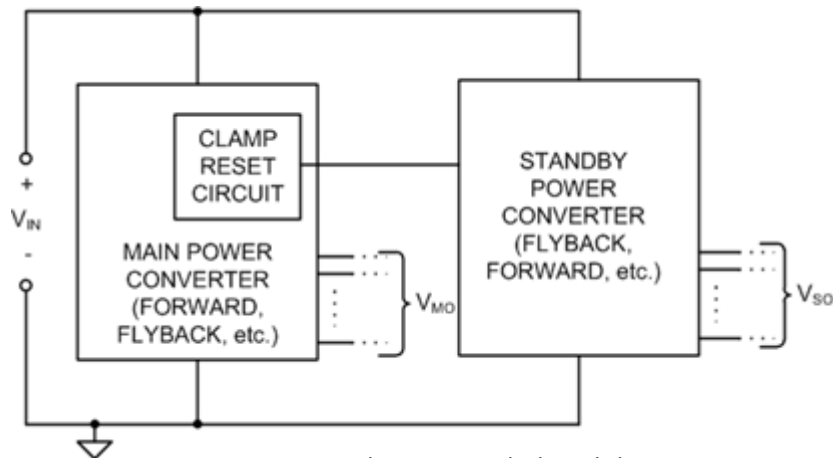


Figure 1. Example system with shared clamp reset

■ Benefits

- ▶ Reduce component count
- ▶ Lower system cost
- ▶ Could be used with: main and standby power converters

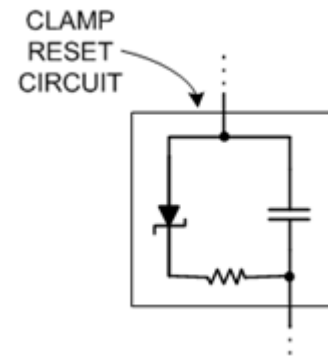


Figure 2. Example clamp reset circuit

Shared Clamp Reset Circuit

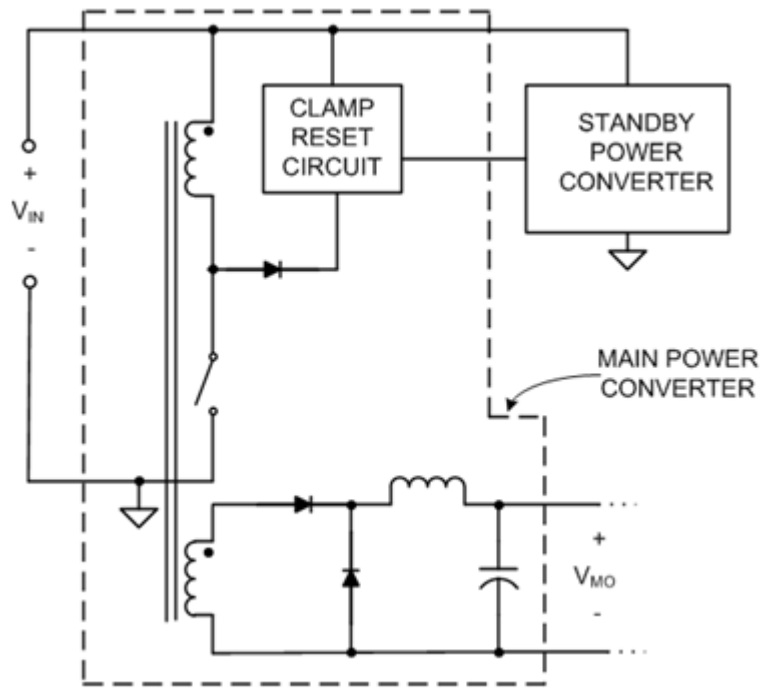


Figure 3. Forward as an example main power converter

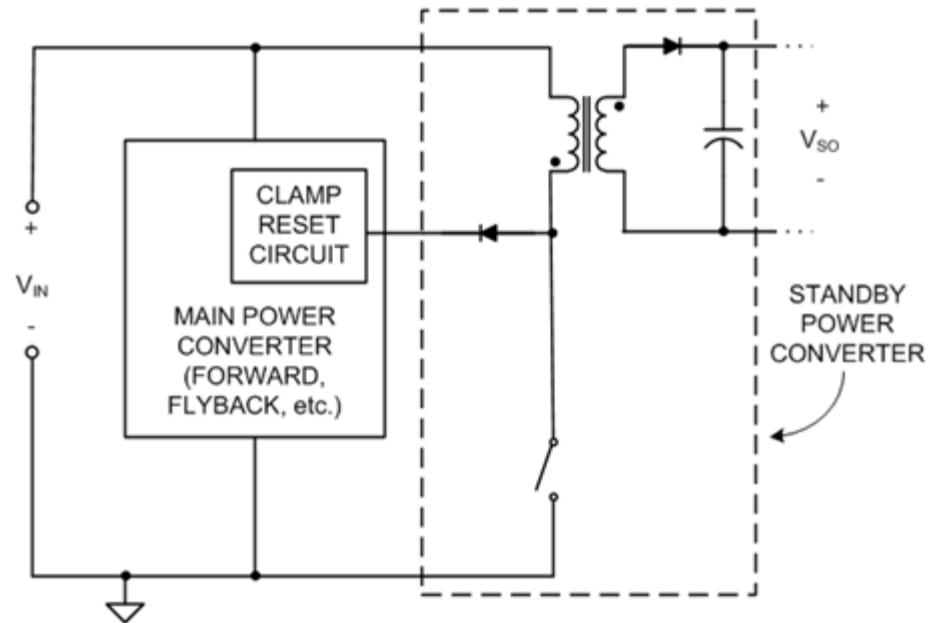


Figure 4. Flyback as an example standby power converter