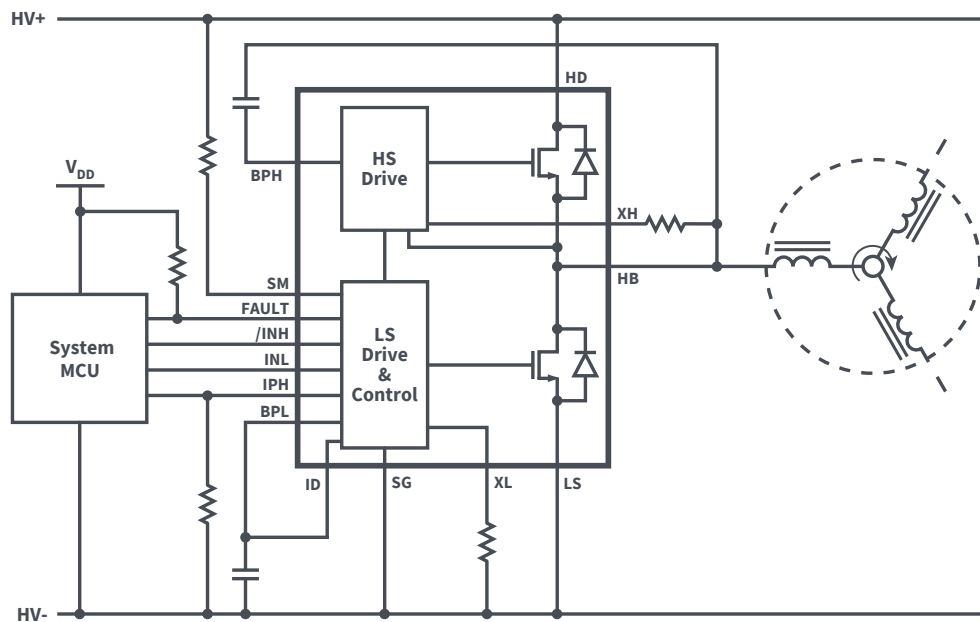


BridgeSwitch™

- Up to 99.2% efficient — no heatsinks
- Fully integrated half-bridge stage
- Hard-wired protection simplifies software
- Device and system diagnostic through single-wire bus
- Works with popular motor control microcontrollers

High-Voltage, Self-Powered, Half-Bridge Motor Driver



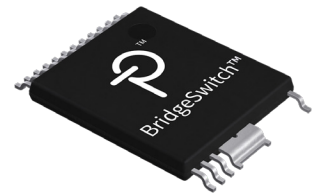
PI-8314-091718

Applications

- Single and multi-phase high-voltage PM and BLDC motor drives
- Industrial and factory automation equipment
- Fans, pumps and compressor motor drives in appliances and HVAC (air conditioning, dishwashers, refrigerators, range hoods)

Output Power

Part Number	DC Output Current (A)	Continuous RMS Current (A)
BRD1160C BRD1260C	1.0	0.22
BRD1161C BRD1261C	1.7	0.50
BRD1163C BRD1263C	3.0	0.75
BRD1165C BRD1265C	5.5	1.00
BRD1167C BRD1267C	11.5	1.33



InSOP™-24C Package

BRD126xC: Includes positive phase current output

Design Support

Data Sheet	BridgeSwitch data sheet (www.power.com/bridgeswitch-data-sheet)
Application Note	BridgeSwitch design tips, techniques and troubleshooting guide (AN-83) (www.power.com/an-83)
White Paper	Simplified product safety certification through hardware based motor fault protection with Bridgeswitch (www.power.com/W006)
Reference Design	300 W high thermal performance 3-phase inverter using BridgeSwitch motor driver and LinkSwitch™-TN2 (RDR-853) (www.power.com/rdr-853)
Reference Design	400 W 3-phase inverter using BridgeSwitch BRD1267C and LinkSwitch-TN2 LNK3204D in FOC operation (DER-870) (www.power.com/der-870)
Design Tool	Motor-Expert™ Motor Control Configuration and Diagnostics Tool (www.power.com/motor-expert)